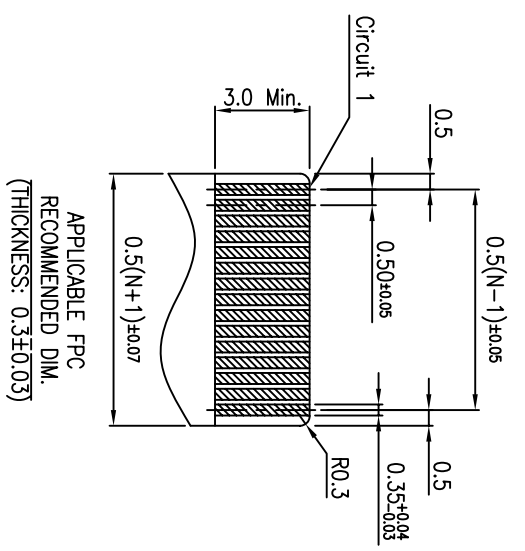


RECOMMENDED PC BOARD
PATTERN DIM.(REF.)



APPLICABLE FPC
RECOMMENDED DIM.
(THICKNESS: 0.3±0.03)

NOTES:
1. MATERIAL:
1.1 HOUSING: THERMOPLASTIC, HIGH TEMP., UL94V-0;
1.2 CONTACT: COPPER ALLOY
1.3 FITTING NAIL: COPPER ALLOY
1.4 LATCH: THERMOPLASTIC, HIGH TEMP., UL94V-0;

2. FINISH:

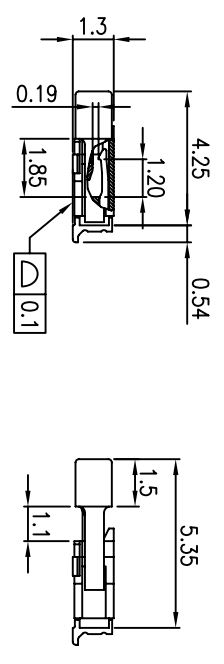
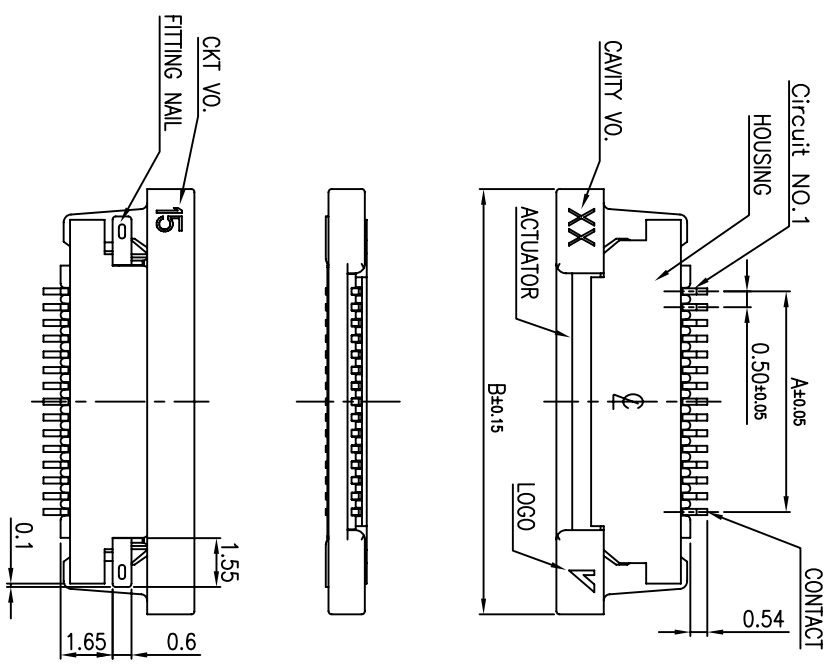
2.1 CONTACT:
50u" MIN. NICKEL UNDERPLATING OVERALL.
N:120u" MIN. MATTE TIN PLATING OVER ALL
1:GOLD FLASH PLATING OVER ALL
2.2 FITTING NAIL:
50u" MIN. NICKEL UNDERPLATING OVERALL.
N:120u" MIN. MATTE TIN PLATING OVER ALL
1:GOLD FLASH PLATING OVER ALL
3. REFLOW SOLDER CAPABLE TO 260°C
PER ACES SPEC.

4. SPEC. PLS. REFER TO PS-50525-XXXX-XXX
5. PACKAGE PLS. REFER TO 88486-XXXX-TRP
6. PART NUMBER

50527-XXX X X-XXX
NO OF CKT
PACKING
0:REEL
1:TUBE
PLATING
1: GOLD FLASH OVERALL
N: MATTE TIN (LEAD FREE)

XXXX Housing Color:	BLACK
XXXX Actuator Color:	WHITE

CKT	Dim A	Dim B	CKT	Dim A	Dim B
4	1.50	8.0	23	11.00	17.5
5	2.00	8.5	24	11.50	18.0
6	2.50	9.0	25	12.00	18.5
7	3.00	9.5	26	12.50	19.0
8	3.50	10.0	27	13.00	19.5
9	4.00	10.5	28	13.50	20.0
10	4.50	11.0	29	14.00	20.5
11	5.00	11.5	30	14.50	21.0
12	5.50	12.0	31	15.00	21.5
13	6.00	12.5	32	15.50	22.0
14	6.50	13.0	33	16.00	22.5
15	7.00	13.5	34	16.50	23.0
16	7.50	14.0	35	17.00	23.5
17	8.00	14.5	36	17.50	24.0
18	8.50	15.0	37	18.00	24.5
19	9.00	15.5	38	18.50	25.0
20	9.50	16.0	39	19.00	25.5
21	10.00	16.5	40	19.50	26.0
22	10.50	17.0			



一級公差
TOLERANCES
X ±0.5 XX ±0.15
X ±0.25 XXX ±0.1
ANGLE 1.2°

宏致電子股份有限公司
Aces Electronic Co.,Ltd.

品名 (TITLE) 宏致電子股份有限公司
0.5 PITCH ZIP FPC CONN.
SMT R/A T/C TYPE
圖號 (DRAWING NO) 50527-XXXXX-XXX

圖號 (DRAWING NO) 50527-XXXXX-XXX
比例 (SCALE) 4:1
單位 (UNITS) mm
圖號 (DRAWING NO) 50527-XXXXX-XXX

核准 (APPD) Jason
日期 (DATE) 08/09/25
圖號 (DRAWING NO) WCGH

表面處理 (FINISH)

MARK IS CRITICAL DIM.

0	Rev APPY0133新圖制皮	08/09/25	huamin
REV	REVISION DESCRIPTION	DATE	SIGNATURE

5
4
3
2
1

5
4
3
2
1

A B C D E F